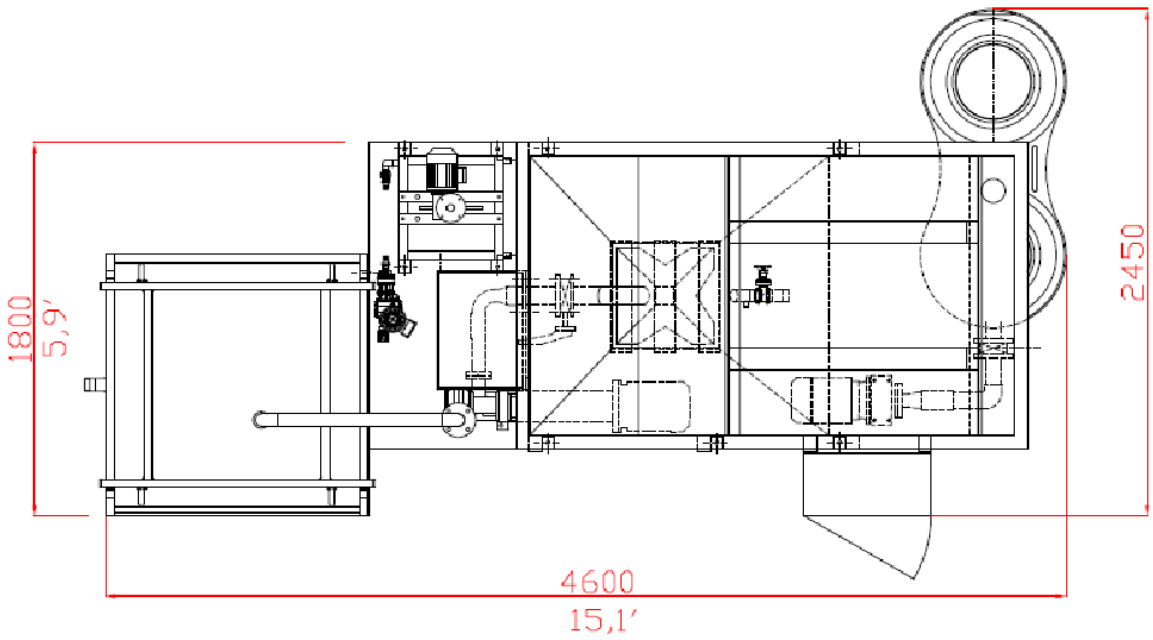
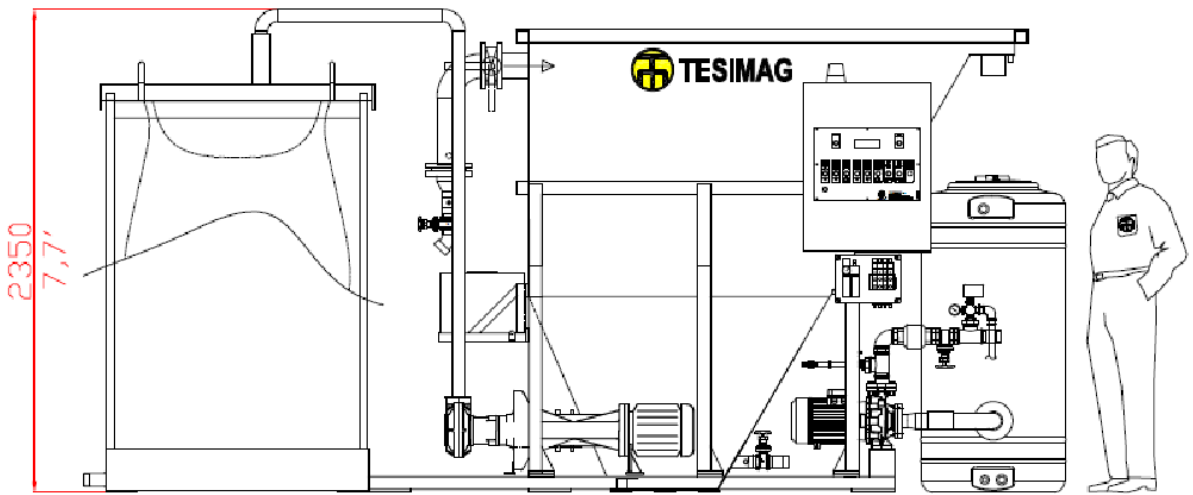
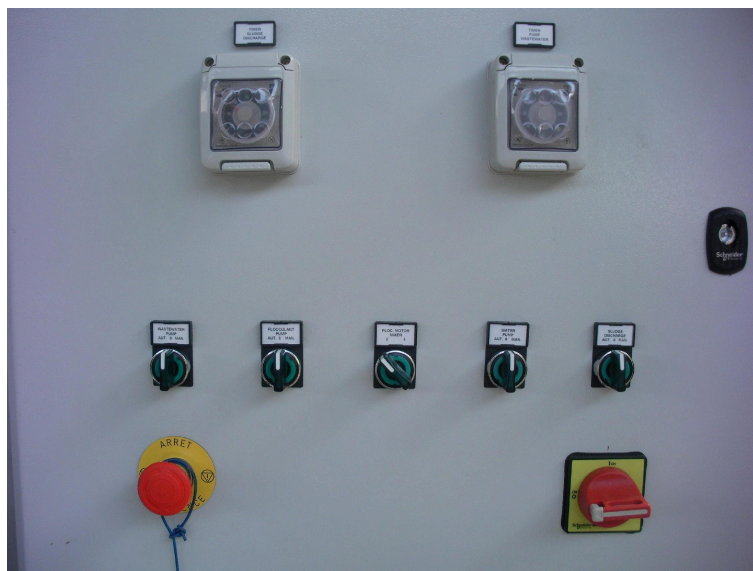


**WASTE WATER TREATMENT PLANT EQUIPPED
MODEL ORION-QUBO BAG**



TECHNICAL FEATURES	
Weight:	2200 kg
Total installed power:	15 kW (V.400/50)
Overall dimensioning:	LxPxH mm 4600x1800x2350
Construction material	Steel/stainless steel
Surfaces treatment	Hot galvanize
Number of container and type required	Nr. 1x20" O.T.
Water treatment capacity	Up to 250 l/min
Sludge treatment capacity	1 m3 capacity big bag
Plant test/check before shipment	Hydraulic leakaging test No-load running test



EQUIPMENTS OF THE PLANT		
ORION-QUBO BAG	Included in the supply	Optional item
Centrifugal vertical pump model Tesimag Kaiman CE 30 rubberized model Motor kw 4-1450 rpm Min/max level switches	✓	
Centrifugal horizontal pump model Tesimag Scirocco rubberized model Motor 5.5 kw-3000 rpm	✓	
Piston dosing pump. Capacity 0- 39 lt/h kw0,18-1450 rpm	✓	
Peristaltic pump for coagulant dosage 0-12 lt/h	✓	
Centrifugal horizontal pump Tesimag Gr 32 model Motor 4 kw -3000 rpm for clear water boosting completes with air vessel and pressure kit.	✓	✓ optional
Flocculant preparation tank equipped with level switches and mixer kw 0,37-1450 rpm	✓	
Clear water collecting tank in PE.capacity 1 m3		✓ optional
Man-hole for inspection		✓ optional
Piping	✓	
Supporting frame for filtering BIG BAG 1 mc capacity	✓	
Electric cabinet equipped with timer	✓	
Manual and pneumatic valves	✓	
Level Relè	✓	
Installation and operational manuale CE in English	✓	
Air compressor device		✓ opzionale
Air compressor pipeline	✓	
Consumables parts (flocculant, hydraulic oil)		✓
INFLOW/OUTFLOW pipeline from/to water plant		✓

Advantages of the Tesimas plug & play lamellar plant

- Compact size
- Plug & play system
- Hot dip galvanizing and stainless steel treatment
- Forced discharge by pump
- Equipment with industrial centrifugal pumps
- High efficiency
- High percentage of mud dehydration